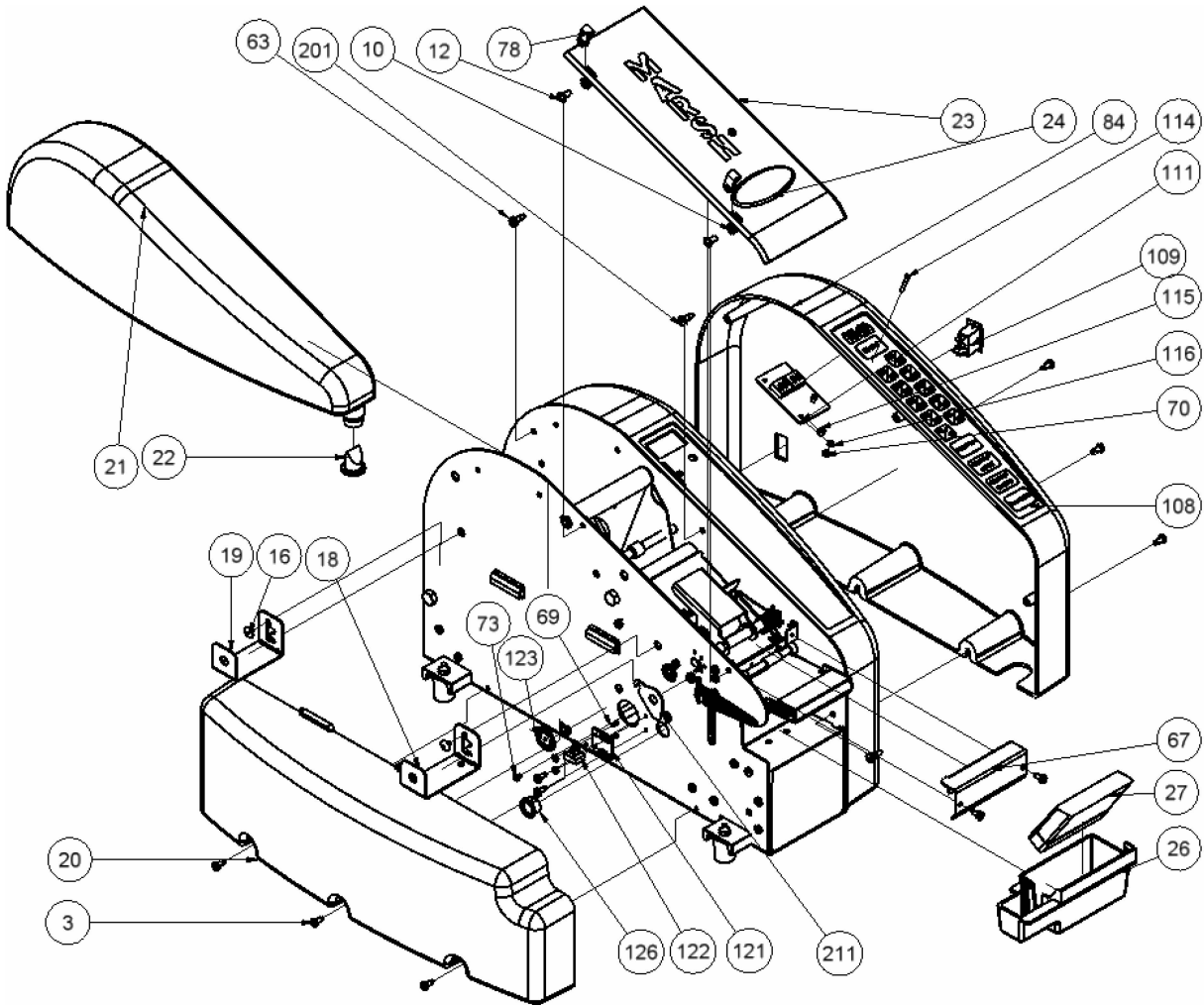


**** Please scroll down for parts list. ****

TD 2100 Electric Drawing #1



Replacement Part Table for
TD 2100 Electric Drawing #1

Replacement Part Number	Description	Item Number	Item Description	Quantity
		67	Guard w/ Damper	1
RP40325	Cutter Guard with Screws	NS	Sticker	1
		3	Screw	2
RP150536	Power Switch	109	Switch	1
RP42405	Display Board and Cable	111	Display Board	1
		NS	Cable	1
RP40825	Fixed Blade Stop	211	Fixed Blade Stop	1

Parts Lists

Replacement Part Table for
TD 2100 Electric Drawing #1

Replacement Part Number	Description	Item Number	Item Description	Quantity
RP40310	Top Cover Assembly	23	Top Cover	1
		24	Logo	1
		10	Nut	2
		78	Hinge	2
		12	Screw	2
RP40311	Top Cover Hinge with Screw	78	Hinge	2
		10	Nut	2
		12	Screw	2
RP40401	Water Bottle with Valve	21	Bottle	1
		22	Duck bill Valve	1
RP40403	Front Water Bottle Bracket with Screw	18	Bracket	1
		16	Screw	1
RP40404	Rear Water Bottle Bracket with Screw	19	Bracket	1
		16	Screw	1
RP40405	Brush Tank	26	Tank	1
RP40407	Moistening Brush	27	Brush	1
RP42301	Right Side Cover Assembly	84	Side Cover	1
		114	Screw	1
		3	Screw	3
		63	Screw	1
		108	Keypad	1
		201	Screw	2
		109	Switch	1
		111	Display Board	1
		115	Standoff	1
		116	Washer	1
		70	Nut	1
		NS	Strain Relief	1
NS	Power Cord	1		
RP40305	Left Side Cover	20	Side Cover	1
		3	Screw	3
RP42410	Encoder Assembly	73	Screw	1
		122	Encoder Switch	1
		3	Screw	2
		123	Encoder Wheel	1
		121	Encoder Bracket	1
		69	Screw	2
		70	Nut	2
		126	Split Bushing	1
NS	Connectors			