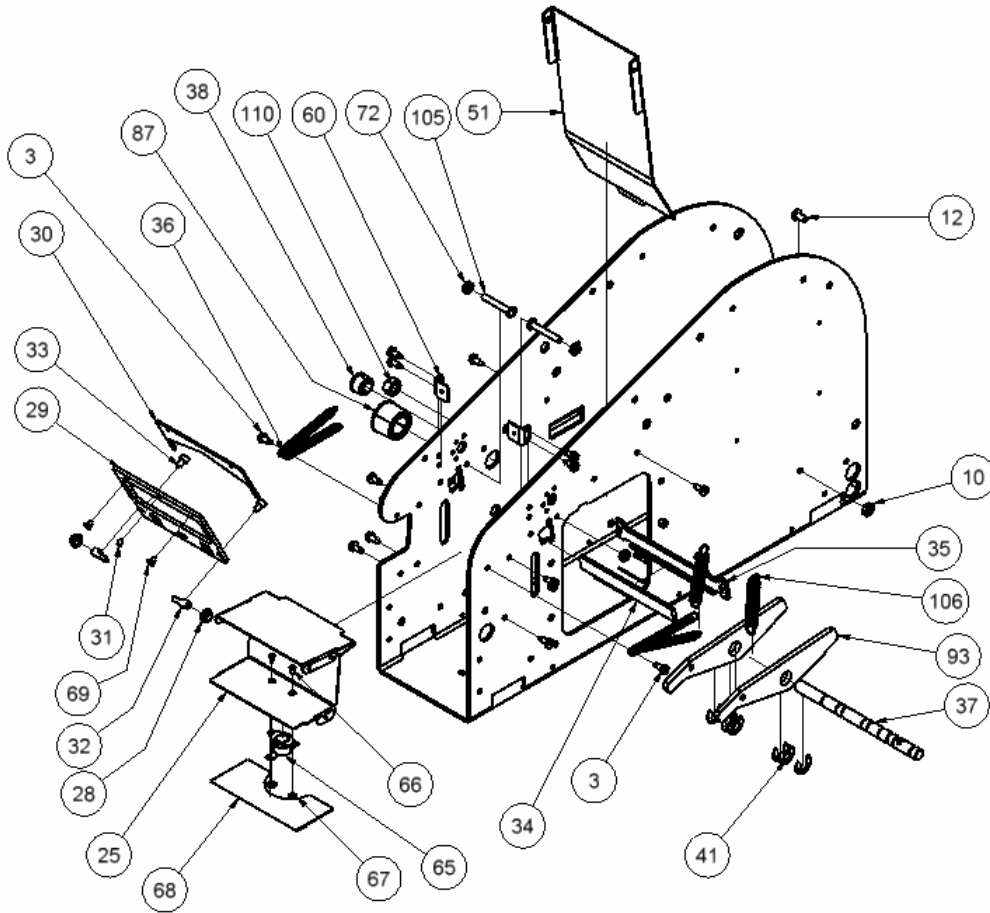


**** Please scroll down for parts list. ****

TD2100 Manual Drawing #4



Replacement Part Table for TD2100 Manual Drawing #4

Replacement Part Number	Discription	Item Number	Item Description	Quantity
RP40231	3/8 Bearing	38	Bearing	1
RP41221	1/2 Bearing	87	Bearing	1
RP42810	Heater/Thermostat Assembly 220V	25	Water Tank Holder	1
		65	Thermostat 220V	1
		66	Screw	2
		67	Nut	2
		68	Heater 220V	1
		3	Screw	7
		NS	Wire	
RP40236	Cutter Guard Clip	60	Clip	1
		3	Screw	2
RP41290	Stop Bolt and Nut	72	Stop Block	1
		105	Screw	1
RP40352	Water Tank Holder	25	Water Tank Holder	1
		3	Screw	7

Replacement Part Table for TD2100 Manual Drawing #4 ctd.

Replacement Part Number	Description	Item Number	Item Description	Quantity
RP40320	Tape Basket/Motor Cover	51	Steel Plate	1
		3	Screw	2
RP41258	Cutter Actuating Arm Assembly	93	Arm	2
		106	Spring	2
		41	E-Clip	6
		37	Shaft	1
		105	Screw	2
		72	Nut	2
RP40701	Cutter Replacement Kit	29	Cutter Blade Holder	1
		30	Cutter Blade-Movable	1
		34	Fixed Blade	1
		36	Springs	4
		35	Fixed Blade Shoe	1
		31	Set Screw	1
		69	Screw	2
		33	Screw	2
		32	Bushing	2
		28	Cutter Guide	2
RP40710	Cutter Blade-Movable	30	Cutter Blade-Movable	1
		69	Screw	2
		31	Set Screw	1
RP40715	Cutter Blade-Fixed	34	Fixed Blade	1
		36	Spring	4
		35	Fixed Blade Shoe	1
		3	Screw	2
RP40740	Cutter Spring-Fixed Blade	36	Spring	4
RP42978	Heater/Thermostat Assembly 110V	25	Water Tank Holder	1
		65	Thermostat 110V	1
		66	Screw	2
		67	Nut	2
		68	Heater 110V	1
		3	Screw	7
		NS	Wire	
		NS	Wire Connections	
RP43977	Thermostat Assembly 110V	65	Thermostat 110V	1
		66	Screw	2
		67	Nut	2
		NS	Wire	
		NS	Wire Connections	