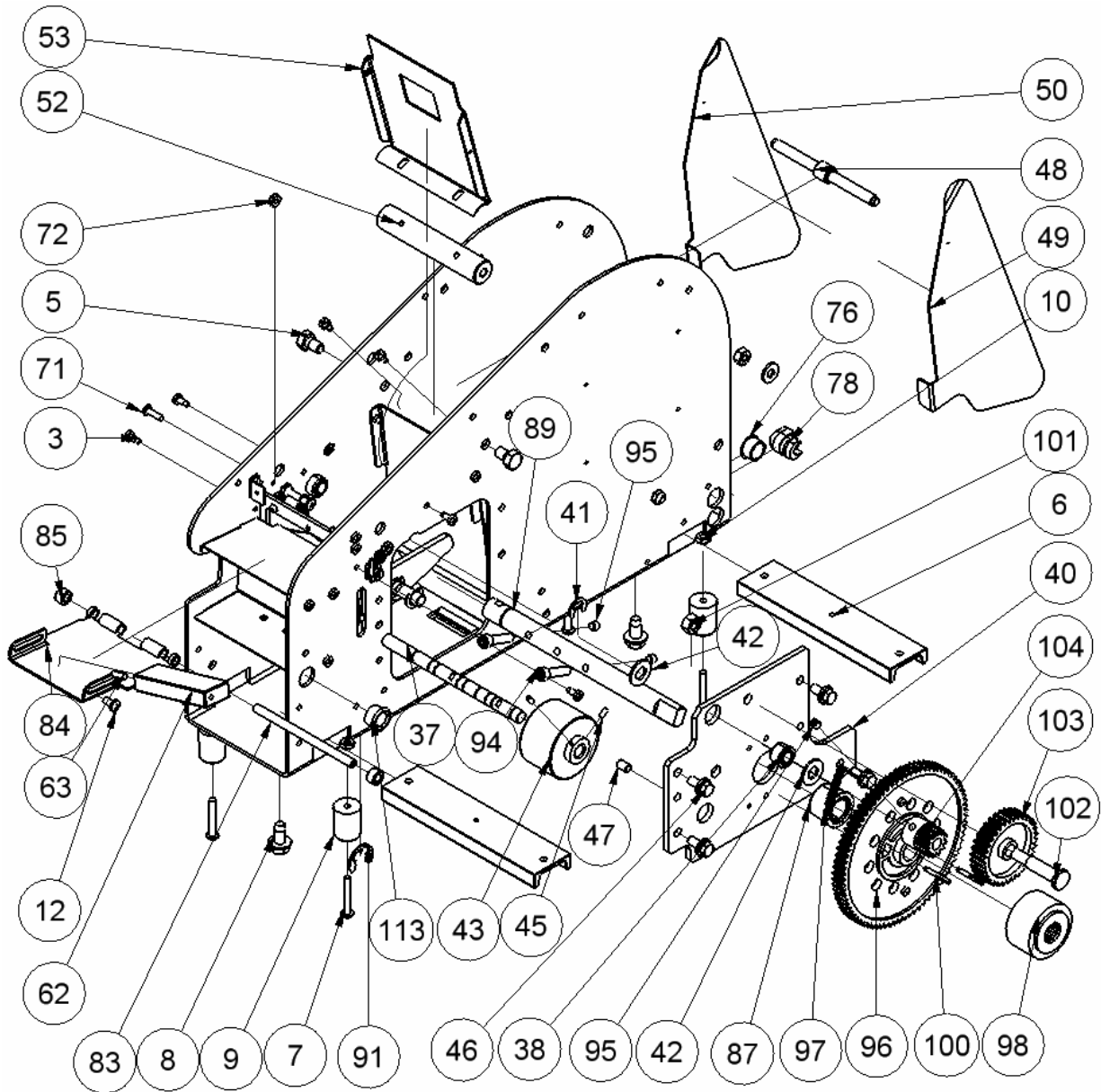


**** Please scroll down for parts list. ****

TD2100 Manual Drawing #3



Replacement Part Table for TD2100 Manual Drawing #3

Replacement Part Number	Description	Item Number	Item Description	Quantity
RP40110	Foot Channel	6	Bar	1
		8	Screw	1
RP40115	Rubber Foot	9	Rubber Foot	1
		7	Screw	1
		10	Nut	1
RP40515	Tape Channel Plate	53	Plate	1
		3	Screw	2
RP40550	Tape Guide Assembly	48	Turnbuckle	1
		49	Guide RHS	1
		50	Guide LHS	1
RP42956	90° Strain Relief	78	Power Cord Relief	1
RP42957	Dome Plug	76	Plug	1
RP42958	Split Bushing	113	Split Bushing	1
RP40545	Urethane Feed Wheel	43	Wheel	1
		45	Screw	2
RP40570	Complete Slide Roller Assembly	NS	Tube	1
		NS	Bearing	2
		NS	Shaft	1
		NS	Screw	2
		NS	Bracket	2
		NS	Screw	4
RP41101	Gearbox/Motor Mount Frame with Pins	40	Gearbox/Motor Frame	1
		47	Pin	2
RP5065X	Drive Gear with Springs	96	Drive Gear	1
		97	Spring	2
RP5063X	Clutch Roller Assembly	98	Clutch	1
		100	Pin	2
RP40516	Brush Tank Cover With Rod and Bushings	84	Weighted Tank Cover	1
		3	Screw	2
		85	Brass Bushing	2
		83	Rod	1
RP40517	Tape Weight With Screw	62	Weight	1
		12	Screw	1
		63	Pin	1
RP40231	3/8 Bearing	38	Bearing	1
RP41221	1/2 Bearing	87	Bearing	1
RP40560	Dead Roller	52	Roll	1
		5	Screw	1
RP40230	Feed Wheel Shaft	37	Shaft	1
RP41220	Handle Shaft Assembly	89	Shaft	1
		95	Screw	2
		94	Screw	2
		91	E-Clip	1
RP16172	Washer	42	Washer	1